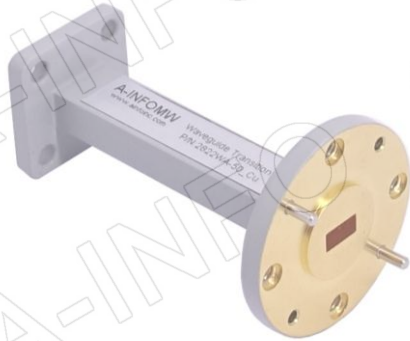
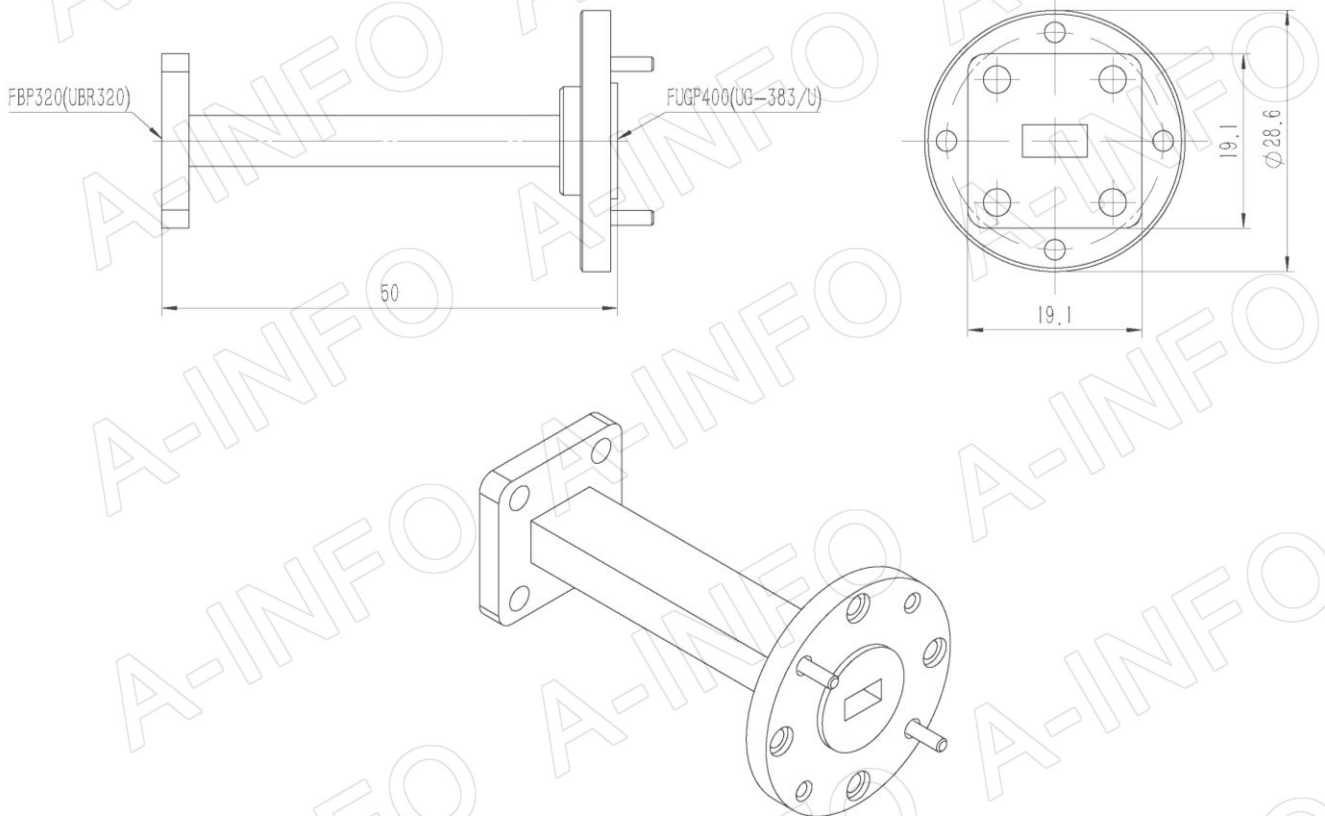


## Technical Specification



EIA WR to WR	WR28 to WR22
Frequency Range(GHz)	33.0 - 40.0
Length(mm/inch)	50/2
Insertion Loss(dB)	0.1 Max.
VSWR	1.10:1 Max.
WR28 Flange	FBP320(UBR320)
WR22 Flange	FUGP400(UG-383/U)
Material	Cu
Size(mm)	50 x 28.6 x 28.6
Net Weight(Kg)	0.04 Around

## Outline Drawing (Size: mm)



AINFO Inc.

Page 1 of 3

China(Beijing):  
China(Chengdu):  
USA :

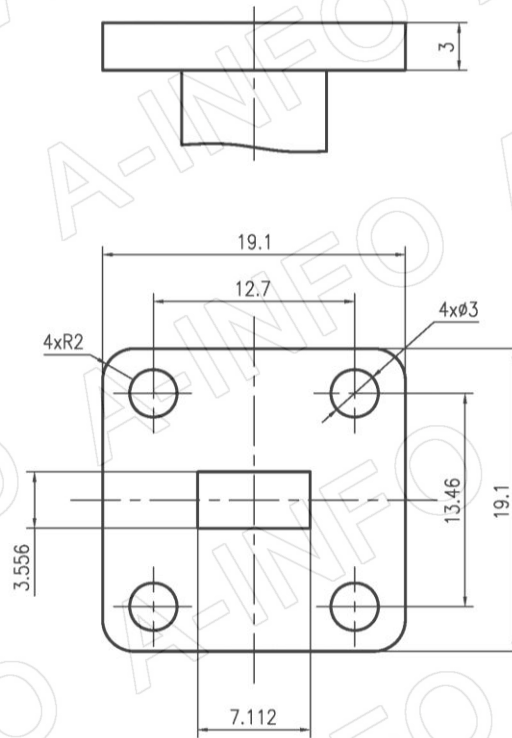
Tel: (+86) 10-6266-7326,  
Tel: (+86) 28-8519-2786,  
Tel: (+1) 949-639-9688,

(+86) 10-6266-7327  
(+86) 28-8519-3044  
(+1) 949-639-9608

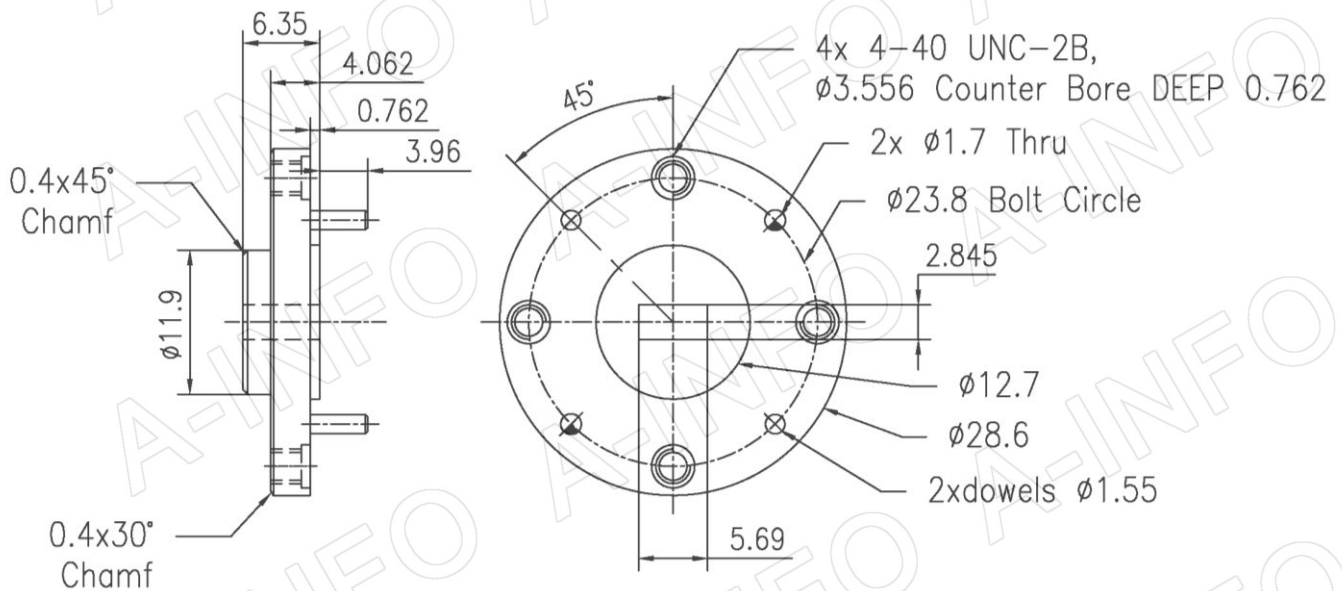
Fax: (+86) 10-6266-7379  
Fax: (+86) 28-8519-3068  
Fax: (+1) 949-639-9670

Website: [www.ainfoinc.com](http://www.ainfoinc.com)  
Email: [sales@ainfoinc.com](mailto:sales@ainfoinc.com)

## Flange Outline Drawing (Size: mm)



**FBP320**



**FUGP400**

(equivalent to UG-383/U)

**AINFO Inc.**

Page 2 of 3

China(Beijing):  
China(Chengdu):  
USA :

Tel: (+86) 10-6266-7326,  
Tel: (+86) 28-8519-2786,  
Tel: (+1) 949-639-9688,

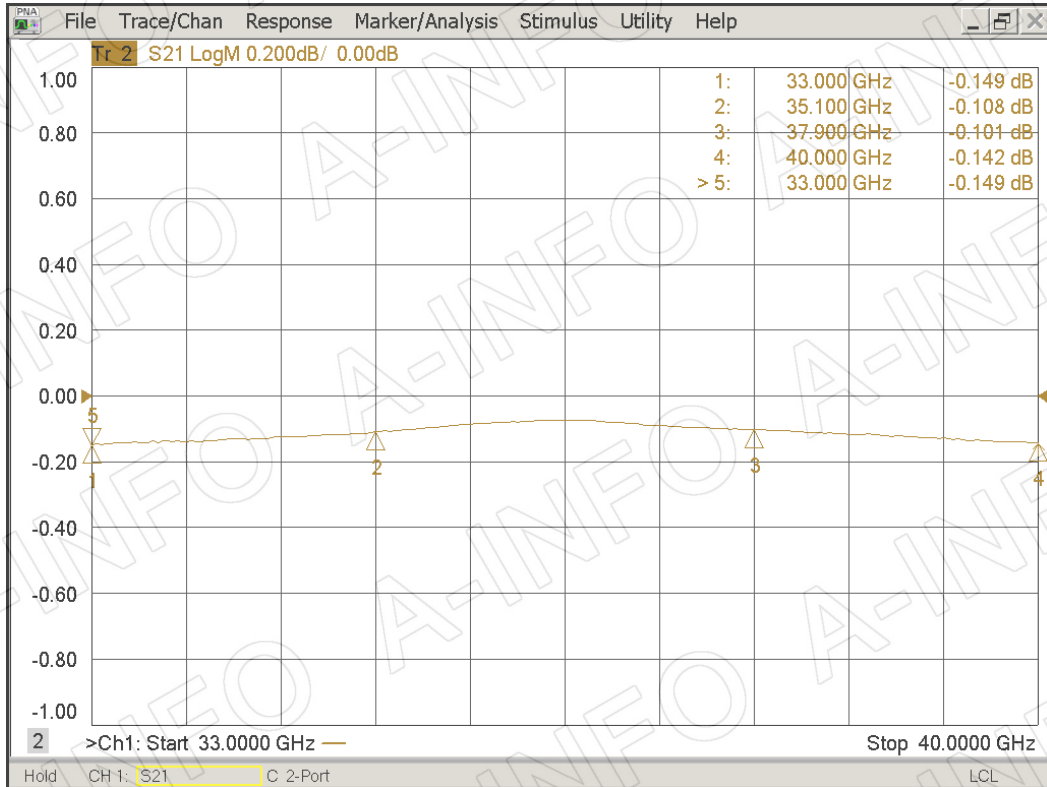
(+86) 10-6266-7327  
(+86) 28-8519-3044  
(+1) 949-639-9608

Fax: (+86) 10-6266-7379  
Fax: (+86) 28-8519-3068  
Fax: (+1) 949-639-9670

Website: [www.ainfoinc.com](http://www.ainfoinc.com)  
Email: [sales@ainfoinc.com](mailto:sales@ainfoinc.com)

## Test Results

Insertion Loss (Test with two transitions back to back)



## VSWR

